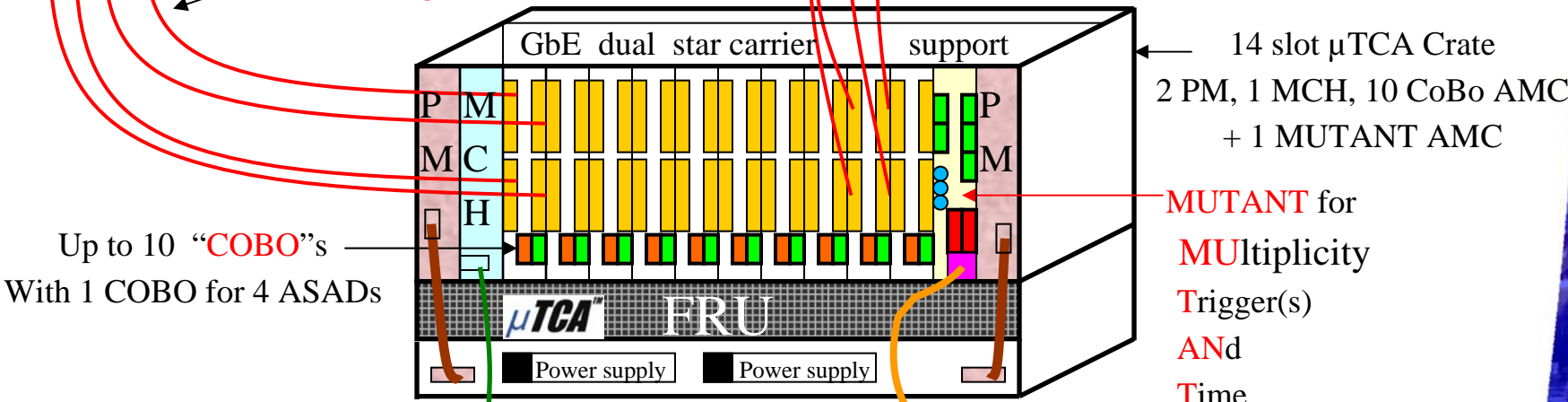
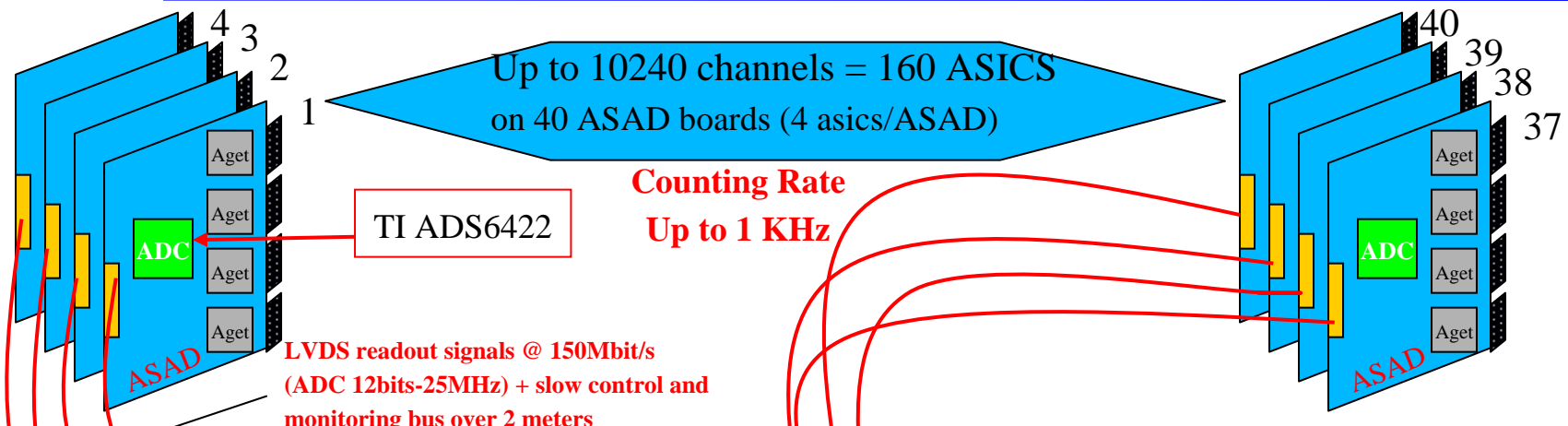


Typical architecture for one μ TCA crate

Front End
Back End



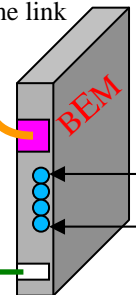
10 GbE MCH uplink

Multiple fibers in the same link



PC farm

GbE network

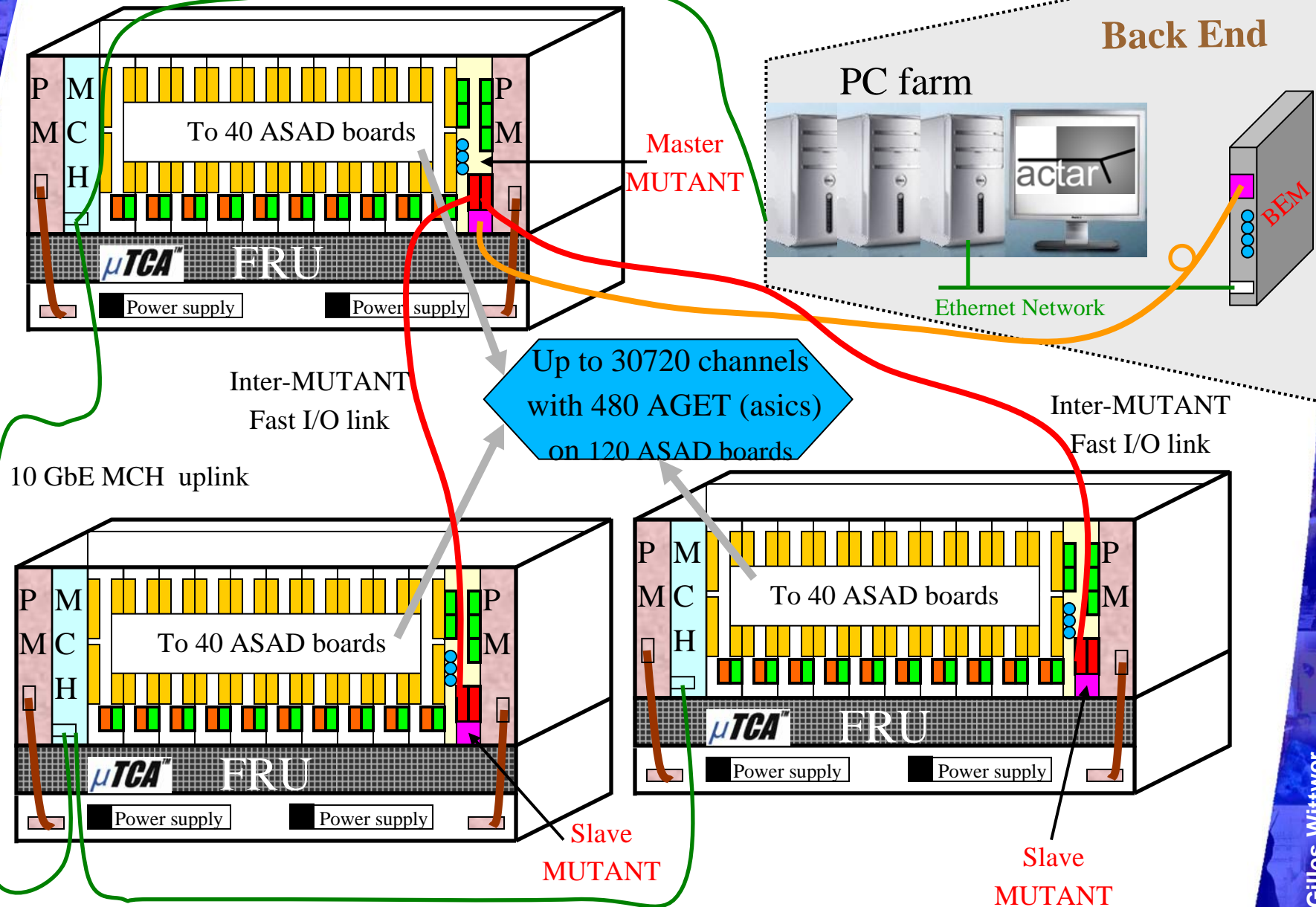


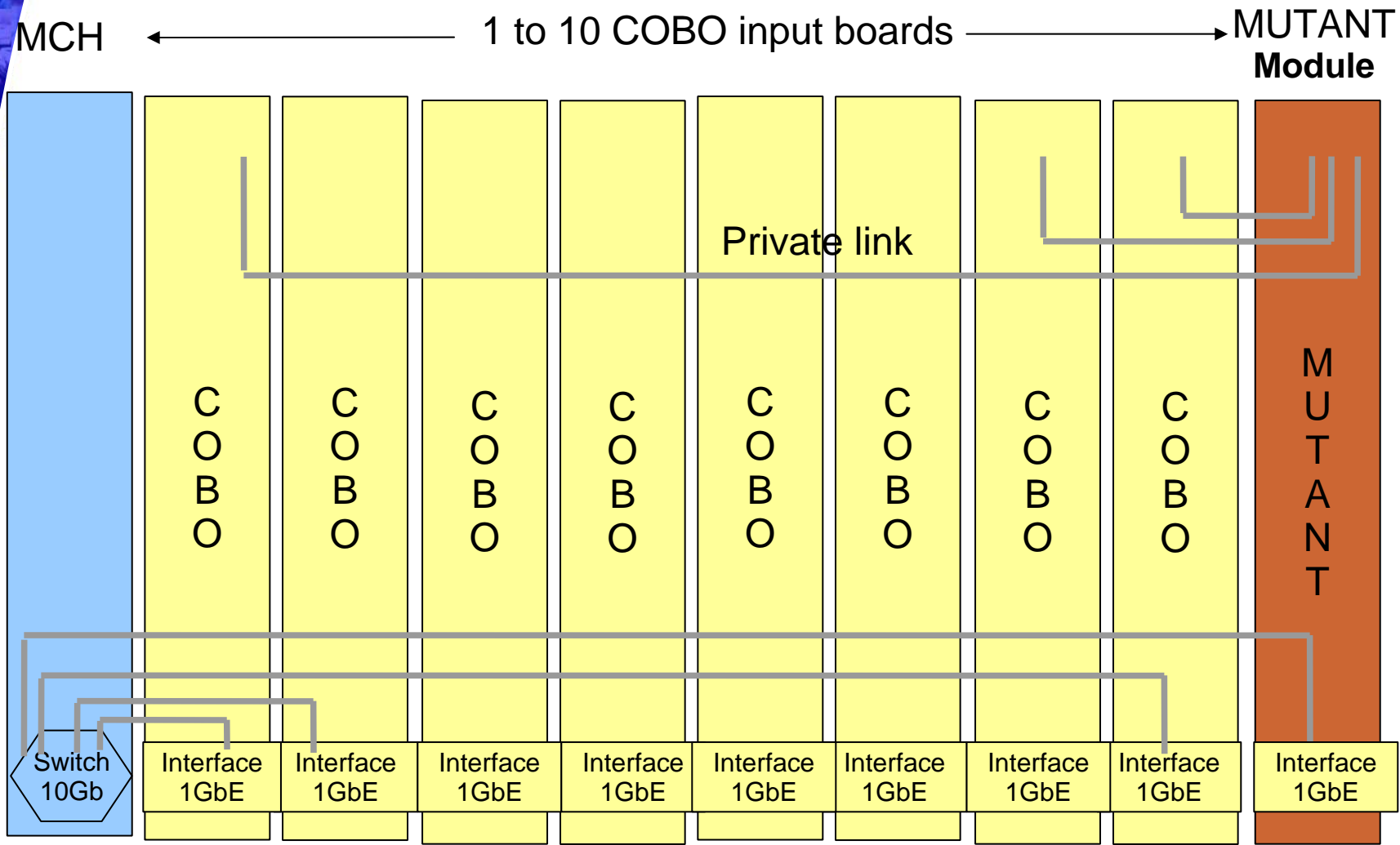
This module could be in the acquisition room near the pc and the scope or inside the external trigger system (with GMT, CENTRUM, ...)

Global architecture for the full version (3 crates)

Front End

Back End





MUTANT is placed in a MCH slot. It is connected to COBO AMC via backplane for sequencing and resources distribution.