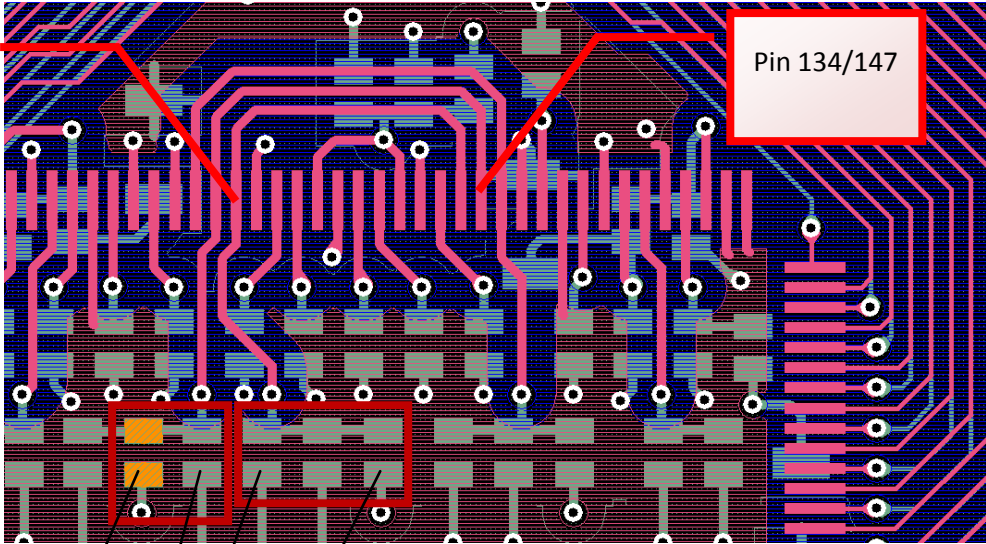
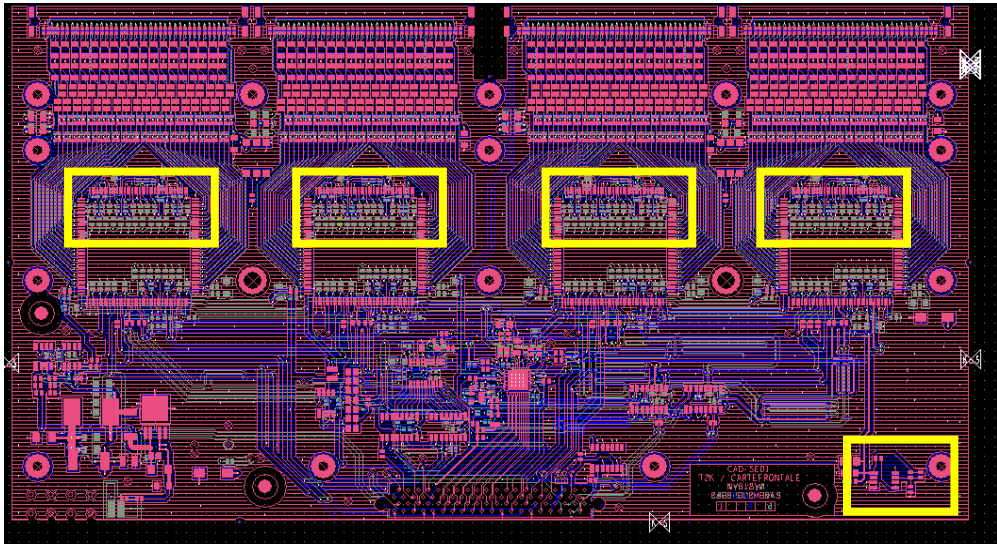


Pin 135/146

Pin 134/147



μ megs case:	Wired chamber case:
R=3.32kOhm	R=7.87kOhm
R=6.65kOhm	R=2.1kOhm
R=2.1kOhm	R=6.65kOhm
R=7.87kOhms	R=3.32kOhms



Schematic of concerned part to change resistor.

μ egas case :

$R3 = 8.2k\Omega$

Wired chamber case :

$R3 = 28k\Omega$

